

Overview

Thank you! for purchasing our **Revolution the roller.**

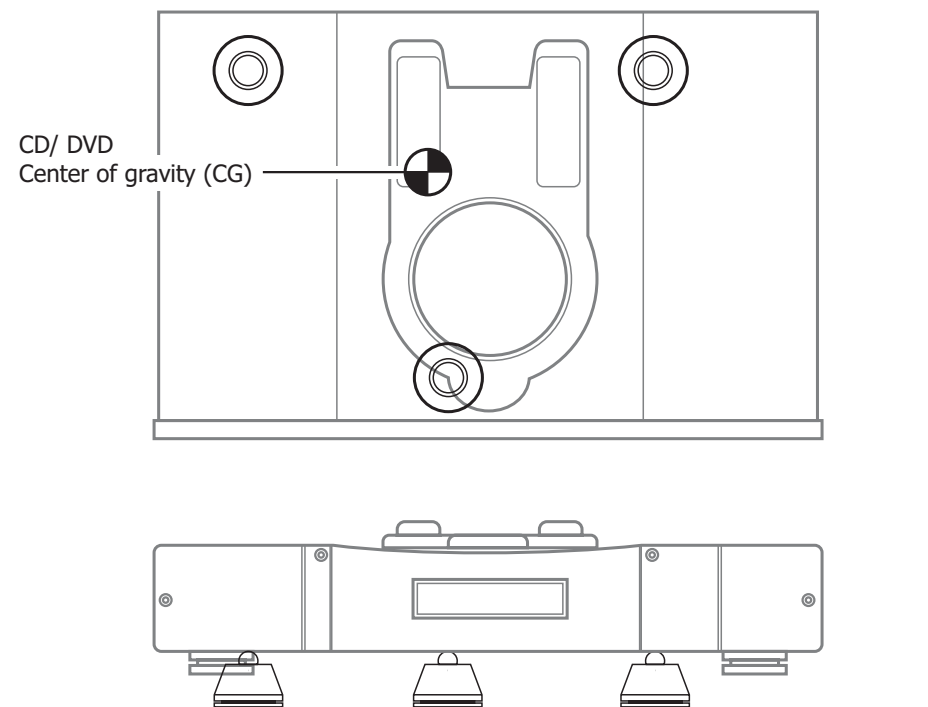
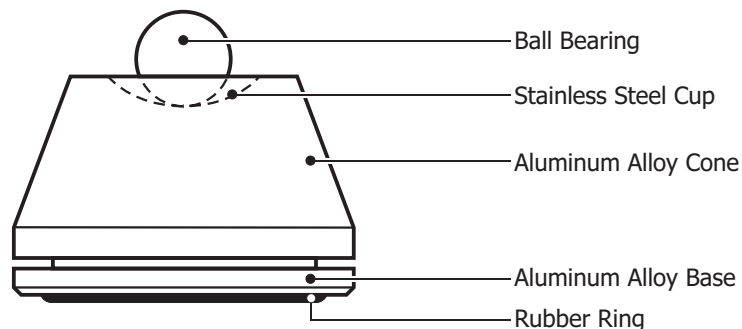
Revolution the roller is the effective accessory to improve both sound and picture quality to meet high-end audiophiles requirement. It can be used for CD player, DVD player and processor D/A particularly tube power amplifier.

Design & Construction

- **Cone** Shape base made from Aluminum Alloy with hole in order to isolate the vibration energy from the components.
- **Cup** The upper part is made from Premium grade Stainless steel shaping with Computer Numerical Control (CNC) process. Consequently, They are durable against abrasion and components weight.
- **Bearing** The top part Ball bearing is made of high carbon steel with hard-chrome surface which is the same material as automotive cylinders.

The effect to CD and DVD players

The Revolution the roller increases the sound details, improve bass and treble quality for clean and clear sound that you never experience before, Meanwhile, it can offer high contrast and low noise of picture for DVD players.



How to use

1. Check the balanced point of the component.
2. Place revolution the roller surround the balance point to form a equilateral triangle. The center point of the triangle must coincide with the balance point.
3. In case that the bottom of components are uneven, Use stainless sheet covering the bottom before place the revolution the rollers.